

Technical data sheet

Data technology support, 1 module, slanting outlet,
type C
Item no. 6119250



Data technology support with slanting outlet and locking slider to accept two data technology connection modules with RJ45 socket. The locking fastening is suitable for horizontal and vertical installation in the system environment. Type C has a mounting opening of 19.30 x 14.80 mm and is designed for direct fastening of the data connection modules in the mounting opening.

The type C data technology support is suitable for accepting the following data connection modules: BTR (Keystone design): Cat. 6A module and UAE module; Corning: modules with Keystone seat; CobiNet: CobiDat KS module; Dätwyler: KS-T, KS-TS, MS-K and KU-T; EKU: E-Stone; Harting: Prelink Keystone Cat. 6A; Fixlink Keystone Cat. 6A; Komos: KDM 500 module; Leoni Kerpen: MegaLine-Connect45 Keystone socket modules; OBO: Type ASM-C6A and ASM-C6A G; R&M: Cat. 6A with Keystone fastening; Rutenbeck: UM and UMflex; SETEC: UKJ and XKJ; Telegärtner: AMJ and UMJ.

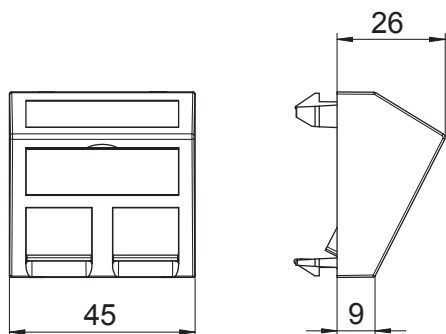
For installation in Rapid 45 and Rapid 80 device installation trunking, ISS service poles and underfloor systems.

PC Polycarbonate

Master data

Item no.	6119250
Type	DTS-2C RW1
Description 1	Data technology support
Description 2	f. 2 connection modules type C
Dimension	45x45mm
Colour	Pure white
RAL number	9010
Material	Polycarbonate
Material symbol	PC
Smallest sales unit (VG)	1 Piece
Weight	1,50 kg/100 pc.

Technical data



Width	45,00 mm
Height	45,00 mm
Depth	26,00 mm
Dimension	45 x 45 mm
Surface version	Matt
Number of units	1
Fastening type	Lock
Labelling panel	With labelling panel
Halogen-free	<input checked="" type="checkbox"/>
Hinged cover	<input type="checkbox"/>
Lamp-wire connector	<input type="checkbox"/>
With printed label	<input type="checkbox"/>
Mit Staubschutz	<input checked="" type="checkbox"/>
Mounting opening	Type C
Protection rating	IP20
Support ring	<input type="checkbox"/>
Transparent	<input type="checkbox"/>
Use	Installable data connector
Strain relief option	<input type="checkbox"/>
Combination	Basic element with central cover plate