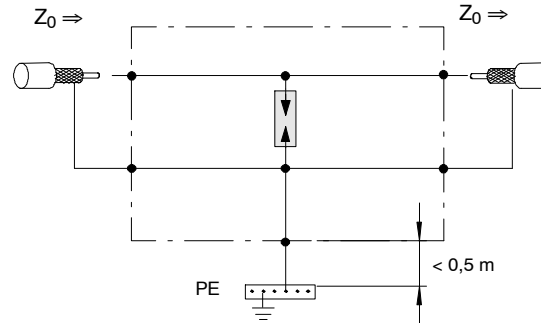
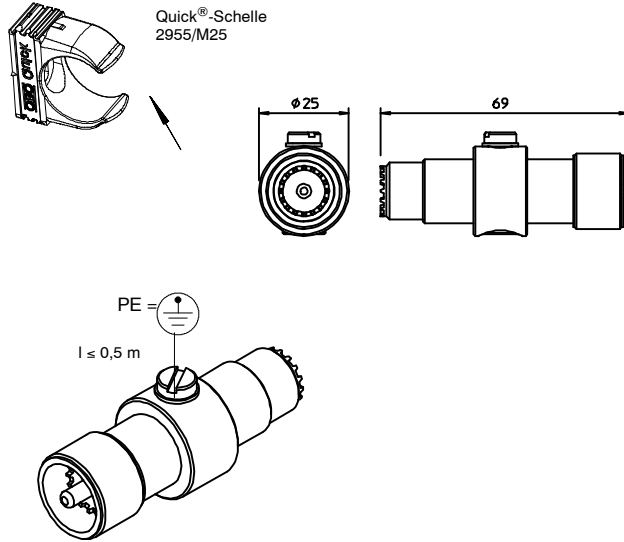


S-UHF M/W

Schaltbild / Protective circuit

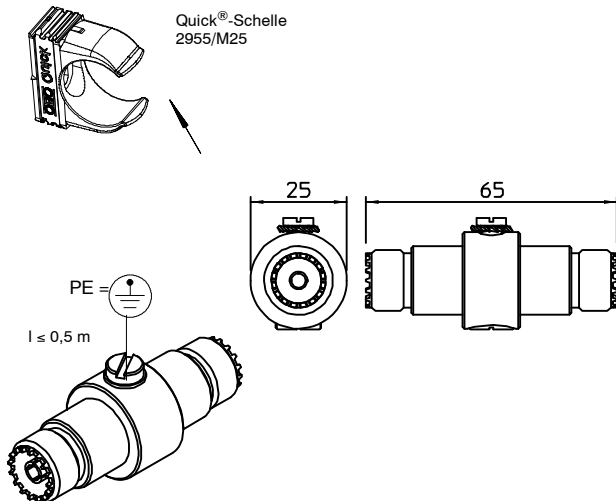


Technische Daten / Technical Data

Typ	S-UHF M/W	S-UHF W/W
Item-No.:	5093015	5093023
I_L	10 A	
U_C	130 V AC / 185 V DC	
LPZ	LPZ 0->2	
Impulse durability line-line	C2: 10kV	
Impulse durability line-earth	C2: 10kV	
Total impulse durability lines-earth (I_{total})	10kA (8/20)	
Total impulse durability lines-earth (I_{total})	D1: 5kA (10/350)	
U_P (line-line)	800 V	
U_P (line-earth)	800 V	
R_{iso}	$\geq 1 \text{ G}\Omega$	
v °C	- 40 °C - + 80 °C	
Impedance Z_0	50 Ω	
Return loss S 11	14 dB @ 1,3 GHz	
Insertion loss S 21	0,2 dB @ 1,3 GHz	
Capacitance (line-line)	$\leq 10 \text{ pF}$	
Capacitance (line-earth)	$\leq 20 \text{ pF}$	
Connector	UHF-Jack male/female	UHF-Jack female/female
Standard	IEC 61643-21	

S-UHF W/W

Hinweis / Note



Das Überspannungsschutzgerät darf nur im Spannungslosen Zustand eingebaut werden

The SPD may only be installed into the circuit onvoltage free lines

LPZ IEC 61643-21
0 → 2 IEC 62305



Head Office OBO BETTERMANN GmbH & Co. KG
Postfach 1120 · 58694 Menden, Germany
Hüngser Ring 52 · D-58710 Menden
Tel. +49 (0)2373-89-0 Fax +49 (0)2373-89-238
E-Mail: info@obo.de · www.obo-bettermann.com

Technical Hotline
Telefon +49 (0)2373/89-1500
Telefax +49 (0)2373/89-1550
E-Mail hotline@obo.de