

Technical data sheet

Fastening bolts

Item number: 5408988



- For GFK rods
- Dimension D Ø: 16 mm



Alu Aluminium

Master data

Item number	5408988
Type	101 BB-16
Description 1	Iso-Combi
Description 2	fastening bolts
Manufacturer	OBO
Dimension	40x30x30
Material	Aluminium
Smallest sales unit	1
Unit of quantity	Piece
Weight	13.92 kg
Weight unit	kg/100 pc.
CO2 Footprint (GWP) Cradle-to-Gate	1,3648 kg CO2e / 1 Piece

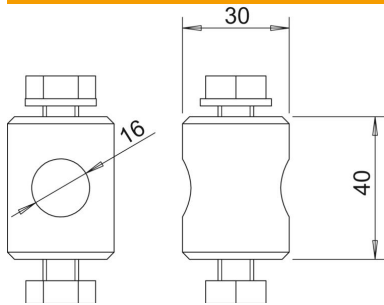
Technical data sheet

Fastening bolts

Item number: 5408988



Dimensions



Dimension d min.	30 mm
Dimension d Ø	16 mm
Dimension L	40 mm