

Technical data sheet

Plug-in seal EDK pure white

Item number: 2011697



The plug-in seal can be cut back to suit the relevant cable diameter.



TPE Thermoplastic elastomer

Master data

Item number	2011697
Type	EDK 32 RW
Description 1	Plug-in seal
Description 2	for cable
Manufacturer	OBO
Dimension	Ø32/5-25
Colour	Pure white; RAL 9010
Material	Thermoplastic elastomer
Smallest sales unit	50
Unit of quantity	Piece
Weight	0.328 kg
Weight unit	kg/100 pc.
CO2 Footprint (GWP) Cradle-to-Gate	0,0139 kg CO2e / 1 Piece

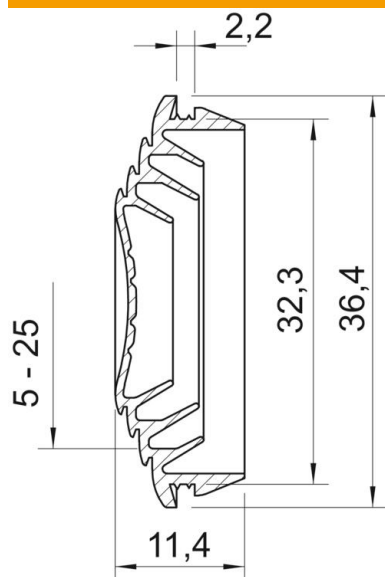
Technical data sheet

Plug-in seal EDK pure white

Item number: 2011697



Dimensions



Dimension A	2.2 mm
Dimension D1	36.4 mm
Dimension D2	32.3 mm
Dimension D3	5 mm
Dimension D4	14 mm
Dimension D5	15 mm
Dimension D6	18
Dimension D7	19
Dimension D8	20
Dimension D9 (mm)	25
Dimension L	11.4 mm

Technical data

Version for	Cuttable
for diameter, max.	25 mm
for diameter, min.	5 mm
for wall thickness, max.	2.2
for wall thickness, min.	2.2
Size	M32
Halogen-free	yes
Nominal diameter	32 mm
Protection rating	IP55