

# Technical data sheet

## Junction box T100, with plug-in seal, transparent elevated cover

Item number: 2007752



Junction box for the connection of cables and lines indoors and in protected outdoor areas. Rectangular design with plug-in seals to the sides and knock-out entries in the bottom. Suitable for wall and ceiling mounting and on mounting panels. With the option to fasten inside and to mount via the corner domes. High, transparent cover with quick lock, sealable. Made from halogen-free and UV-resistant materials.

With hat profile rail.

Junction box according to DIN EN 60670. Flame-resistant to DIN EN 60695/2/11, test temperature 650 °C. Impact resistance IK07 according to DIN EN 50102. Clear internal dimensions: 136x102x74 mm



**PP/PC** Polypropylene / polycarbonate

### Master data

Item number	2007752
Type	T 100 HD TR
Description 1	Junction box
Description 2	with high transparent cover
Manufacturer	OBO
Dimension	150x116x83
Colour	Light grey; RAL 7035
Material	Polypropylene / polycarbonate
Smallest sales unit	1
Unit of quantity	Piece
Weight	22.55 kg
Weight unit	kg/100 pc.
CO2 Footprint (GWP) Cradle-to-Gate	1,2894 kg CO2e / 1 Piece

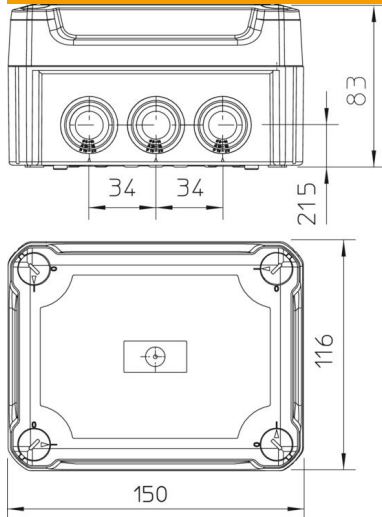
# Technical data sheet

Junction box T100, with plug-in seal, transparent elevated cover

Item number: 2007752



## Dimensions



Length	150 mm
Width	116 mm
Height	83 mm

## Technical data

Expandable	yes
No. of entries	10
Type of entry	Plug-in seal
Type of entry	Cable
Type of housing penetration	Miscellaneous
Measured insulation voltage $V_i$	500 V
Equipment	Support rail
Cover	Transparent
Cover fastening	Screwed
Entry from rear	yes
Entries	10xM25
Explosion-tested version	no
Flame-resistant	acc. to VDE 0471/DIN 695 Part 2-1, test temperature 650°C
Shape	Rectangular
Maintain electrical functions	Without
For Ex zone	Without
For Ex zone gas	Without
For Ex zone dust	Without
Halogen-free	yes
Clear internal dimensions	136x102x74 mm
With screening	no
with lid	yes
Mounting type	Wall/ceiling mounting
Nominal voltage	500 V
Sealable	yes
Protection rating	IP66
Protection rating IK code	IK07.
Permitted temperature range, max.	60 °C
Permitted temperature range, min.	-5 °C

# Technical data sheet

Junction box T100, with plug-in seal, transparent elevated cover

Item number: 2007752



## Technical data

Transparent lid	yes
Weatherproof	no