

Technical data sheet

Clamp clip, triple, plastic pressure trough

Item number: 1177281



Suitable for all C profile rails with slot width 18 mm and 22 mm.

Polypropylene pressure trough, halogen-free, colour light grey RAL 7035.



St Steel

FT Hot-dip galvanised

Master data

Item number	1177281
Type	2056U 3 28 FT
Description 1	Clamp clip
Description 2	triple
Manufacturer	OBO
Dimension	22-28mm
Material	Steel
Surface	Hot-dip galvanised
Surface standard	DIN EN ISO 1461
Smallest sales unit	50
Unit of quantity	Piece
Weight	10.5 kg
Weight unit	kg/100 pc.
CO2 Footprint (GWP) Cradle-to-Gate	0,2159 kg COe / 1 Piece

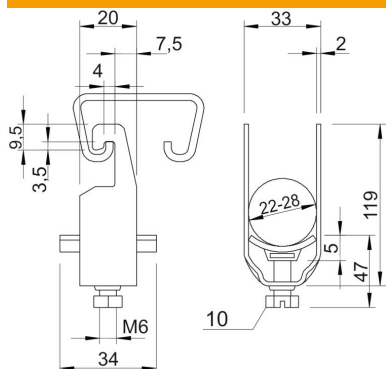
Technical data sheet

Clamp clip, triple, plastic pressure trough

Item number: 1177281



Dimensions



Dimension A	20 mm
Dimension B	33 mm
Dimension C	34 mm
Dimension G (mm)	M6
Dimension H	119 mm
Dimension L	47 mm
Dimension t	2 mm
Dimension x	5 mm

Technical data

Number of cables/pipes	3
for 1 cable H	59 mm
for 1 cable L	34
for 2 cable H	89 mm
for 2 cable L	47 mm
for 3 cable H	119 mm
for 3 cable L	47 mm
For pipe diameter, max.	25 mm
For pipe diameter, min.	25 mm
for rail with slot width (with interval), max.	22 mm
for rail with slot width (with interval), min.	18 mm
Halogen-free	yes
Max. Tightening torque	3 Nm
With plastic trough	yes
With metal trough	no
Mounting type	Profile rail
Impact-resistant	no
Clamping range D, max.	28 mm
Clamping range D, min.	22 mm
Surface addition	hot galvanised
Material addition	Steel
With counter-trough	no
Material of trough	Plastic
Material quality of trough	Polypropylene