

Technical data sheet

Clamp clip, double, plastic pressure trough

Item number: 1170465



Suitable for flat, bracket and U irons of 4–12 mm material thickness.
Clip and bolt made of hot-dip galvanised steel.
Polypropylene pressure trough, halogen-free, colour light grey RAL 7035.
Version with welding and/or locknuts for use under difficult circumstances and for shake protection on request.



- St** Steel
- FT** Hot-dip galvanised

Master data

Item number	1170465
Type	2056F 2 46 FT
Description 1	Clamp clip
Description 2	double
Manufacturer	OBO
Dimension	40–46mm
Material	Steel
Surface	Hot-dip galvanised
Surface standard	DIN EN ISO 1461
Smallest sales unit	50
Unit of quantity	Piece
Weight	12.05 kg
Weight unit	kg/100 pc.
CO2 Footprint (GWP) Cradle-to-Gate	0,3444 kg COe / 1 Piece

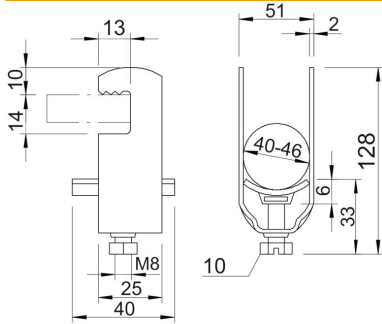
Technical data sheet

Clamp clip, double, plastic pressure trough

Item number: 1170465



Dimensions



Dimension A	25 mm
Dimension B	51 mm
Dimension C	40 mm
Dimension E	13 mm
Dimension G (mm)	M8
Dimension H	128 mm
Dimension L	33 mm
Dimension t	2 mm
Dimension x	6 mm

Technical data

Number of cables/pipes	2
for 1 cable H	80 mm
for 1 cable L	26
for 2 cable H	128 mm
for 2 cable L	33 mm
for 3 cable H	177 mm
for 3 cable L	45 mm
For pipe diameter, max.	40 mm
For pipe diameter, min.	40 mm
Halogen-free	yes
Max. Tightening torque	5 Nm
With plastic trough	yes
With metal trough	no
Mounting type	Flat profile
Impact-resistant	no
Clamping range D, max.	46 mm
Clamping range D, min.	40 mm
Surface addition	hot galvanised
Material addition	Steel
With counter-trough	no
Material of trough	Plastic
Material quality of trough	Polypropylene