

# Technical data sheet

## Clamp clip, single, FT plastic pressure trough

Item number: 1169645



Suitable for flat, bracket and U irons of 4–12 mm material thickness.  
Clip and bolt made of hot-dip galvanised steel.  
Polypropylene pressure trough, halogen-free, colour light grey RAL 7035.  
Version with welding and/or locknuts for use under difficult circumstances and for  
shake protection on request.



**St** Steel

**FT** Hot-dip galvanised

### Master data

Item number	1169645
Type	2056F 64 FT
Description 1	Clamp clip
Manufacturer	OBO
Dimension	58-64mm
Material	Steel
Surface	Hot-dip galvanised
Surface standard	DIN EN ISO 1461
Smallest sales unit	50
Unit of quantity	Piece
Weight	14.8 kg
Weight unit	kg/100 pc.
CO2 Footprint (GWP) Cradle-to-Gate	0,2644 kg COe / 1 Piece

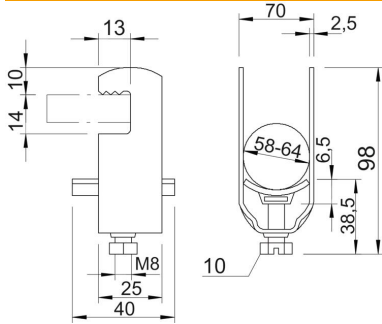
# Technical data sheet

## Clamp clip, single, FT plastic pressure trough

Item number: 1169645



### Dimensions



Dimension A	25 mm
Dimension B	70 mm
Dimension C	40 mm
Dimension E	13 mm
Dimension G (mm)	M8
Dimension H	98 mm
Dimension L	38.5 mm
Dimension t	2.5 mm
Dimension x	6.5 mm

### Technical data

Number of cables/pipes	1
for 1 cable H	98 mm
for 1 cable L	38.5
For pipe diameter, max.	63 mm
For pipe diameter, min.	63 mm
Halogen-free	yes
Max. Tightening torque	5 Nm
With plastic trough	yes
With metal trough	no
Mounting type	Flat profile
Impact-resistant	no
Clamping range D, max.	64 mm
Clamping range D, min.	58 mm
Surface addition	hot galvanised
Material addition	Steel
With counter-trough	no
Material of trough	Plastic
Material quality of trough	Polypropylene