

Technical data sheet

Screwless terminal, 8-pin

Item no. 2054523



Screwless terminal to connect single-strand cables.
 Nominal cross-section:
 8 x 0.5 mm² to 2.5 mm² single-wire conductor
 8 x 1.5 mm² to 2.5 mm² rigid, multi-wire conductor
 Rated voltage 450 V.
 Rated current 24 A.
 Stripping length: 8–9 mm.
 Inspection opening: phase tester and testing pin (max. Ø 2 mm).

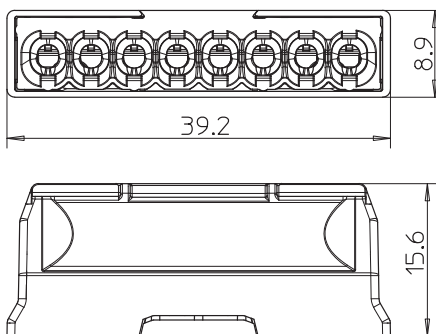


PA Polyamide

Master data

Item no.	2054523
Type	61 825 LGR
Description 1	Plug-in terminal
Description 2	screwless terminal
Dimension	8x2,5mm ²
Colour	Light grey
RAL number	7035
Material	Polyamide
Material symbol	PA
Smallest sales unit (VG)	50 Piece
Weight	0,49 kg/100 pc.

Technical data



Length	39,20 mm
Width	15,60 mm
Height	8,90 mm
Connectable conductor cross-section, single-wire	0,50 - 2,50 mm ²
Connectable conductor cross-section, multi-wire	1,50 - 2,50 mm ²
No. of terminals	8
Flame-resistant	acc. to VDE 0471/DIN 695 Part 2-1, test temperature 850°C
Suitable for flexible conductors	<input type="checkbox"/>
Suitable for solid conductors	<input type="checkbox"/>
Suitable for multi-wire conductors	<input checked="" type="checkbox"/>
With actuating levers	<input type="checkbox"/>
Nominal cross section	0,50 - 2,50 mm ²
Nominal voltage	450,00 V
Nominal current	24,00 A
Pole number	8
Cross-section	8 x 0.5 mm ² to 2.5 mm ² single-wire conductor 8 x 1.5 mm ² to 2.5 mm ² rigid, multi-wire conductor mm ²
max. permitted ambient temperature	-5,00 - 90,00 °C
Ambient temperature	T 90 °C