

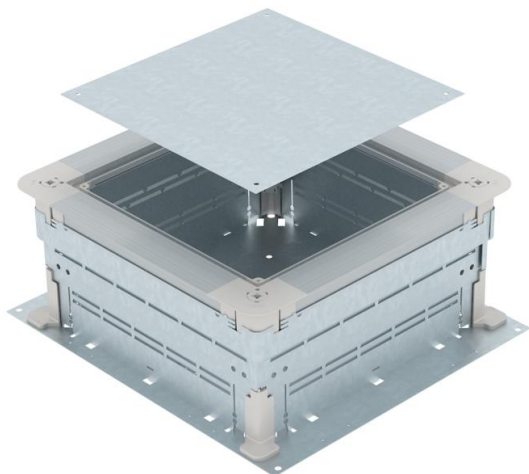
Technical data sheet

UZD250-3 for screed height 165–220 mm

Item number: 7410052



Underfloor junction and branch box for screed-covered underfloor installation systems.
Side walls prepared for duct width 250 mm.



St Steel

FS Strip galvanized

Master data

Item number	7410052
Type	UZD 165220 250-3
Description 1	Junction and branch box
Description 2	for screed height 165-220mm
Manufacturer	OBO
Dimension	410x367x165
Material	Steel
Surface	Strip galvanized
Surface standard	DIN EN 10346
Smallest sales unit	1
Unit of quantity	Piece
Weight	530 kg
Weight unit	kg/100 pc.

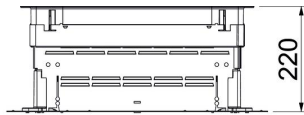
Technical data sheet

UZD250-3 for screed height 165–220 mm

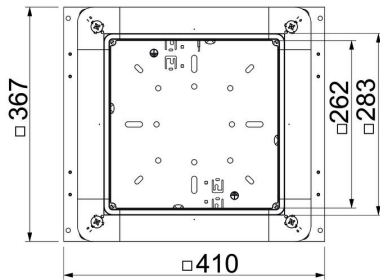
Item number: 7410052



Dimensions



Dimension a	262 mm
Dimension A	367 mm
Dimension B	410 mm
Dimension b	283 mm



Technical data

Floor plate	yes
Lowerable to be flush-floor	no
Cover version	Universal
Seal installation option	yes
Installation opening for on-floor tank	no
Decouplable	yes
Screed height, max.	220 mm
Screed height, min.	165 mm
For pipe connection	no
Suitable for screed-flush closed underfloor ducts	no
Suitable for screed-covered underfloor ducts	yes
Suitable for underfloor ducts	yes
Installation space, max.	21.2 dm ³
Installation space, min.	15.66 dm ³
Trunking width, max.	250 mm
Trunking width, min.	190 mm
Trunking height, max.	48 mm
Duct height, min.	28 mm
Minimum screed height	165
Nominal size	250 mm
Height-adjustment range, max.	220 mm
Height-adjustment range, min.	165 mm