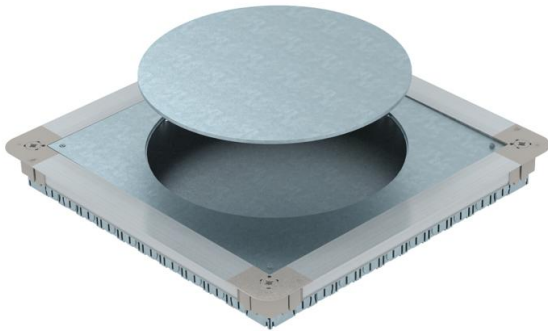


Technical data sheet

Underfloor box UGD350-3 for GESR9/55

Item number: 7410064



Underfloor accessory box with mounting lid and lid blanking plate with sheet steel side walls. For the installation of a square GES9 55 service outlet in screed heights of 55 mm or more. Height can be infinitely adjusted to the nominal screed height and the screed can be worked flush to the screed scraping edge. With 7 x M20, 3 x M25, 4 x M32 pipe insertion openings on each side. Usable pipe size at a system height of 55 mm: M20.



- St** Steel
- FS** Strip galvanized

Master data

Item number	7410064
Type	UGD55 350-3R9R
Description 1	Underfloor box empty
Description 2	for GESR9/55UV
Manufacturer	OBO
Dimension	467x467x55
Material	Steel
Surface	Strip galvanized
Surface standard	DIN EN 10346
Smallest sales unit	1
Unit of quantity	Piece
Weight	775 kg
Weight unit	kg/100 pc.

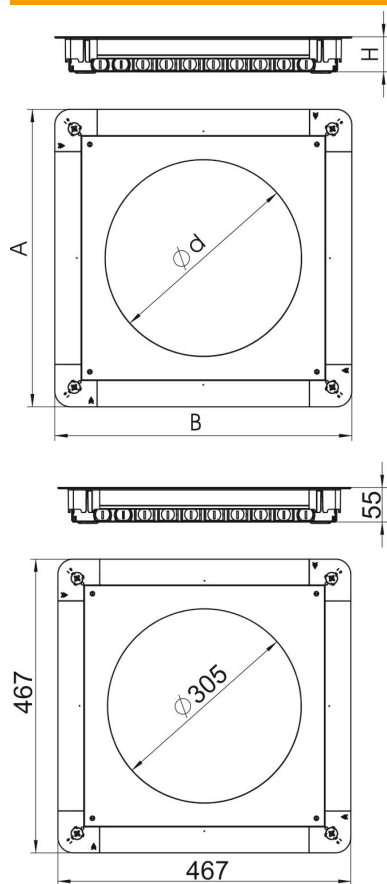
Technical data sheet

Underfloor box UGD350-3 for GESR9/55

Item number: 7410064



Dimensions



Dimension A	467 mm
Dimension B	467 mm
Dimension d Ø	305 mm
Dimension h	55 mm

Technical data sheet

Underfloor box UGD350-3 for GESR9/55

Item number: 7410064



Technical data

	Expansion option	For installation of accessories
Floor plate	yes	
Lowerable to be flush-floor	yes	
Floor care	Dry	
Cover version	Round	
Seal installation option	no	
Installation opening for on-floor tank	no	
Installation opening for flush-mount unit	Round	
Decouplable	no	
Screed height, max.	80 mm	
Screed height, min.	55 mm	
For pipe connection	yes	
Suitable for screed-flush closed underfloor ducts	no	
Suitable for screed-covered underfloor ducts	no	
Suitable for underfloor ducts	no	
Trunking width, max.	350 mm	
Trunking width, min.	190 mm	
Nominal size	350 mm	
Nominal size for device installation units	R9	
Height-adjustment range, max.	80 mm	
Height-adjustment range, min.	55 mm	