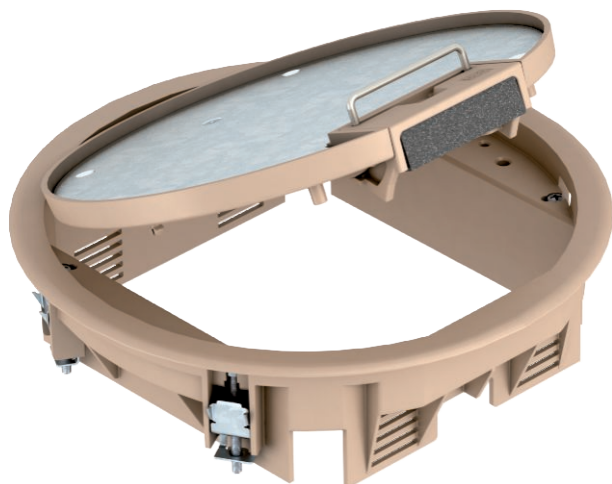


Technical data sheet

GESR4 service outlet with handle clamp

Item no. 7405444



Service outlet with handle clamp for up to 6 individual Modul 45 devices in 2 UT3 universal supports, use in duct systems and system floors for indoor use.

Up to 4 installation devices with 50 mm central plate can be inserted.

Service outlet with handle clamp, 2-compartment, for the installation of MT4 mounting support. Two type APMT2 cover plates can be installed.

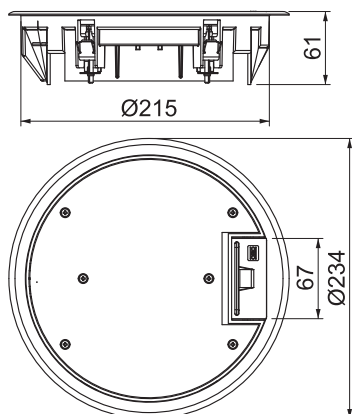


PA Polyamide

Master data

Item no.	7405444
Type	GESR4 U 1019
Description 1	Service outlet
Description 2	for universal mounting
Colour	Grey-beige
RAL number	1019
Material	Polyamide
Material symbol	PA
Smallest sales unit (VG)	1 Piece
Weight	140,00 kg/100 pc.

Technical data



Dimension h	73,00 mm
External diameter	234,00 mm
Installation diameter	215
Number of installable devices	6
Number of mounting boxes	2
Cable outlet version	Swivellable cord outlet
Floor covering thickness	5,00 mm
Floor covering protection frame	<input checked="" type="checkbox"/>
Floor care	Dry
Version for	Round
Seal installation option	<input type="checkbox"/>
Installation depth	73,00 mm
Floor height	73 mm
Device support to accept mounting boxes	<input checked="" type="checkbox"/>
Suitable for wet care	<input type="checkbox"/>
Suitable for screed-flush closed underfloor ducts	<input checked="" type="checkbox"/>
Suitable for screed-covered underfloor ducts	<input checked="" type="checkbox"/>
Suitable for raised floor installation	<input checked="" type="checkbox"/>
Suitable for cavity floor installation	<input checked="" type="checkbox"/>
Suitable for underfloor ducts	<input checked="" type="checkbox"/>
With floor covering recess	<input checked="" type="checkbox"/>

Technical data sheet

GESR4 service outlet with handle clamp

Item no. 7405444



Technical data

Nominal size for device installation units	R4
Suitable for underfloor box	250/350
Opening mechanism	Handle
Frame version	Carpet protection frame
Schwerlastausführung	<input type="checkbox"/>
Typ des Einbausystems	UT3
Approvals	