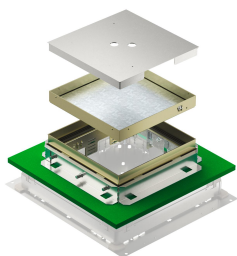


# Technical data sheet

## Height-adjustable, decouplable cassette for inspection opening, brass

Item number: 7409611



Height-adjustable and decouplable square cassettes are suitable for flushfloor device installation in UGD-3 underfloor connection boxes. Depending on the design, they are suitable for dry, moist or wet-cleaned floors. The cassette rests on the fixing bracket fastened in the top frame of the box, using which the cassette can be adjusted to the top edge of the floor covering. The fixing bracket decouples the cassette from the raw ceiling. The connection socket must have an appropriate installation opening and, for this reason, needs a blanking lid with an appropriate installation opening. The cassettes are made from stainless steel or brass. All the cassettes contain a 4 mm thick sheet steel plate, for safe absorption of the traffic loads. Suitable cassettes are available for different floor covering thicknesses of 20 and 25 mm. Only suitable for smooth floor coverings. Height-adjustable cassette with blanking cover. The scope of delivery contains an aluminium screed protection cover (grindable), a suitable mounting lid to fix the cassette lined body and an ISO apron for decoupling from the underfloor connection socket.



**CuZn**  
37 Brass

### Master data

Item number	7409611
Type	TRKN 9 MS 250
Description 1	Square cassette seamless floor
Description 2	rectangular, blank
Manufacturer	OBO
Dimension	243x243x83
Material	Brass
Smallest sales unit	1
Unit of quantity	Piece
Weight	724.2 kg
Weight unit	kg/100 pc.

# Technical data sheet

Height-adjustable, decouplable cassette for inspection opening, brass

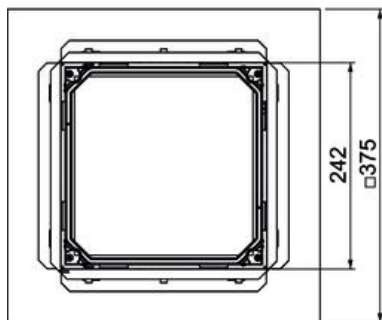
Item number: 7409611



## Dimensions



Length	243 mm
Width	243 mm
Height	81 mm



## Technical data

Number of installable devices	0
Number of cable outlets	0
Version for	Square
Cable outlet version	No cable outlet
Floor care	Wet
Decouplable	yes
Screed height, max.	110 mm
Screed height, min.	69 mm
Floor height, max.	442 mm
Floor height, min.	136 mm
Suitable for raised floor installation	no
Suitable for cavity floor installation	no
Suitable for	Underfloor socket structure
Suitable for underfloor box	250
Device support to accept mounting boxes	no
Nominal size for device installation units	9
Height-adjustment range, max.	110 mm
Height-adjustment range, min.	69 mm
Standard	EN 50085-2-2
Protection rating (IP) when used	IP00
Protection rating (IP) when unused	IP55
Protection rating IK code	IK10
Heavy-duty version	no
Installation system type	UT4
Vertical load, large area	to 5,000 N
Vertical load, small area	to 3,000 N
Approvals	VDE
Floor covering thickness	25 mm