

Technical data sheet

Photovoltaic housing with 4 fuse holders, unequipped

Item no. 5088654



System solution for photovoltaic fuses for photovoltaic inverters with 1 MPP tracker

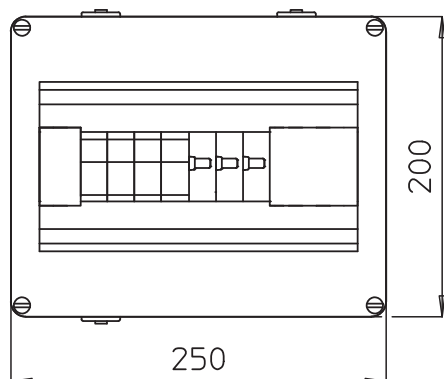
- Error-resistant Y circuit to VDE 0100-712 (50539-12)
- Low DC protection level: < 4.0 kV (Voc max = 1,000 V DC with V20-C/0-500PV)
- Item no.: 5088654: (+) poles protected via 4 photovoltaic fuses 10 x 38 mm (unequipped), 1,000 V DC protected
- Item no.: 5088640: (+) poles protected via 4 photovoltaic fuses 10 x 38 mm (unequipped), 900 V DC protected
- 4 (-) poles via terminal up 6 mm² switched in parallel in the housing, up to 30 A DC per terminal
- Pre-mounted in polycarbonate housing (IP65), UV-resistant for use outside, including cable gland kit

For DC protection of the inverter in photovoltaic systems.

If there is a danger of condensation forming through wind, ice, temperature or sunlight, further measures may be necessary!



Dimensions



Master data

| | |
|--------------------------|-------------------------------|
| Item no. | 5088654 |
| Type | VG-C PV1000KS4 |
| Description 1 | PV system solution in housing |
| Description 2 | PV with 4-string + fuse |
| Dimension | 1000V DC |
| Smallest sales unit (VG) | 1 Piece |
| Weight | 190,00 kg/100 pc. |

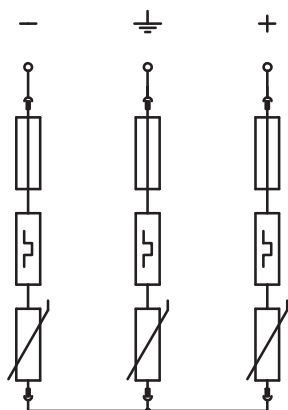
Technical data sheet

Photovoltaic housing with 4 fuse holders, unequipped

Item no. 5088654



Technical data



| | |
|--|---|
| SPD to EN 61643-11 | Type 2 |
| SPD to IEC 61643-11 | Class II |
| Maximum continuous voltage DC | 1.000,00 V |
| U max DC | 1.000,00 V |
| Nominal discharge current (8/20) | 20 kA |
| Maximum discharge current (8/20 μ s) | 40,00 kA |
| Protection level | < 4,0 kV |
| Response time | < 25 ns |
| Temperature range | -40+80 °C |
| Version | Type 2 in housing with fuse holder (unequipped) |
| Protection rating | IP65 |
| Protection rating | IP 65 |
| Connection cross-section, flexible | 0,50 - 6,00 mm ² |
| Connection cross-section, rigid | 0,50 - 6,00 mm ² |
| Connection cross-section, multi-wire | 0,50 - 6,00 mm ² |
| Signalling on device | Visual |