

Technical data sheet

MCR protection for 2-pole power supply with remote signalling, 230 V AC
Item no. 5097858



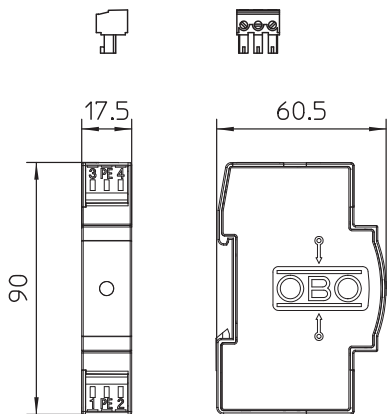
Surge protection / fine power protection, type 3, to EN 61643-11 with remote signalling

- With remote signalling, potential-free changeover contact, for function monitoring
- Suitable for AC systems
- With visual function display
- With easy mounting, screwless connection terminals
- In space-saving 17.5 mm grid
- Y circuit

Application: Universal use on 35 mm DIN profile rails in any standard distributor housing.



Dimensions



Master data

Item no.	5097858
Type	VF230-AC-FS
Description 1	Lightning barrier
Description 2	with remote signalling
Dimension	230V AC
Smallest sales unit (VG)	1 Piece
Weight	6,91 kg/100 pc.

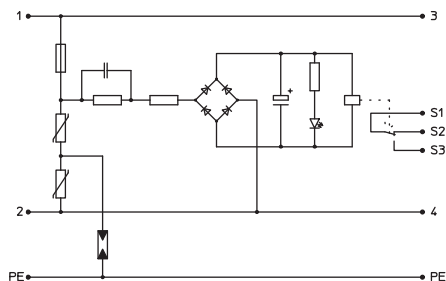
Technical data sheet

MCR protection for 2-pole power supply with remote signalling, 230 V AC

Item no. 5097858



Technical data



SPD to EN 61643-11	Type 3
SPD to IEC 61643-11	Class III
Test class, type 3	<input checked="" type="checkbox"/>
Nominal voltage	230,00 V
Maximum continuous voltage AC	255,00 V
Max. continuous operating voltage	255,00 V
U max AC	255,00 V
Nominal discharge current (8/20)	2,5 kA
Rated current	20,00 A
Maximum discharge current (8/20 µs)	7,00 kA
Combined voltage protection level [L-PE]	1.500,00 kV
Protection level	<1,0 kV
Protection level [L-N]	1.000,00 kV
Protection level (N-PE)	< 1,4 kV
Response time	<25 ns
Temperature range	-40-+80 °C
Pole number	3
Mounting type	Hat rail 35 mm
Installation type	DIN rail 35 mm
Protection rating	IP20
Protection rating	IP 20
Blow-out	<input type="checkbox"/>
Division unit TE (17.5 mm)	1
Remote signalling	<input checked="" type="checkbox"/>
Telecommunications contact	<input checked="" type="checkbox"/>
Max. cable cross-section flexible (fine-wire)	2,50 mm ²
Max. cable cross-section rigid (single wire/multi-wire)	2,50 mm ²
Connection cross-section, flexible	0,14 - 2,50 mm ²
Connection cross-section, rigid	0,14 - 2,50 mm ²
Connection cross-section, multi-wire	0,14 - 2,50 mm ²
Signalling on device	Visual