

Technical data sheet

CombiController V25

Item no. 5097438



Combination arrester consisting of lightning current and surge arrester type 1+2

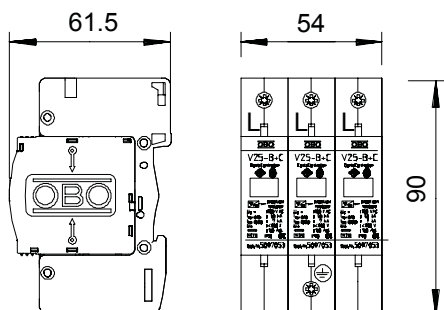
- Complete unit consisting of cover and base, pre-mounted and ready for connection
- Plug-in arrester with dynamic cut-off unit
- With visual function display
- decoded:705:Name[| Voltage protection level |]; decoded:705:Value:RAM1;[| <0.9 |];
- decoded:705:Unit[| kV |]:
- Encapsulated, non-extinguishing zinc oxide varistor arrester for use in standard distributor housings
- Labelled connections
- Special version with two earthing terminals and earthing strap

Application example: Buildings with open-wire power supply or for setting up lightning protection equipotential bonding in residential buildings.

* Complete = Upper part and base



Dimensions



Master data

Item no.	5097438
Type	V25-B+C 3
Description 1	CombiController V25
Description 2	3-pole version
Dimension	280V
Smallest sales unit (VG)	1 Piece
Weight	44,00 kg/100 pc.

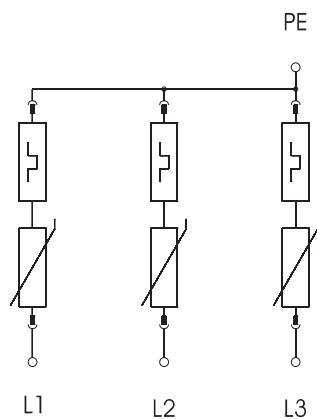
Technical data sheet

CombiController V25

Item no. 5097438



Technical data



SPD to EN 61643-11	Type 1+2
SPD to IEC 61643-11	Class I+II
Maximum continuous voltage AC	280,00 V
Max. continuous operating voltage	280,00 V
Nominal discharge current (8/20)	30 kA
Maximum discharge current (8/20 µs)	50,00 kA
Impulse discharge current (10/350)	25,00 kA
Protection level	<0,9 kV
Response time	< 25 ns
Maximum back-up fuse	160,00 A
Temperature range	-40+80 °C
Pole version	3
Version	3-pole
Protection rating	IP20
Protection rating	IP 20
Blow-out	<input type="checkbox"/>
Division unit TE (17.5 mm)	3
Connection cross-section, flexible	2,50 - 25,00 mm ²
Connection cross-section, rigid	2,50 - 35,00 mm ²
Connection cross-section, multi-wire	2,50 - 35,00 mm ²
Signalling on device	Visual