

Technical data sheet

Combination arrester V25, 3-pole 385 V

Item no. 5094437



Combination arrester, lightning and surge arrester type 1+2

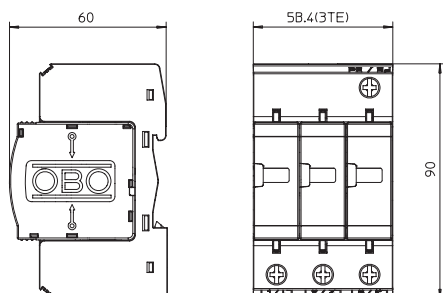
- Complete unit consisting of upper part and base, pre-mounted and ready for connection
- For TN systems
- Plug-in arrester with dynamic cut-off unit
- With visual function display
- Voltage protection level < 1.5 kV
- Encapsulated, non-extinguishing zinc oxide varistor arrester for use in standard distributor housings
- Labelled connections

Application example: Buildings with open-wire power supply or for setting up lightning protection equipotential bonding in residential buildings.

* Complete = Plug-in arrester and base



Dimensions



Master data

Item no.	5094437
Type	V25-B+C 3-385
Description 1	CombiController V25
Description 2	3-pole version
Dimension	385V
Smallest sales unit (VG)	1 Piece
Weight	42,00 kg/100 pc.

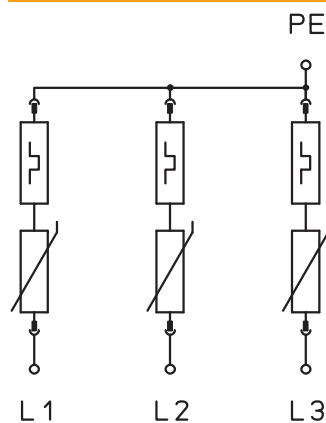
Technical data sheet

Combination arrester V25, 3-pole 385 V

Item no. 5094437



Technical data



SPD to EN 61643-11	Type 1+2
SPD to IEC 61643-11	Class I+II
Nominal voltage	350,00 V
Maximum continuous voltage AC	385,00 V
Max. continuous operating voltage	385,00 V
U max AC	150,00 V
U max DC	200,00 V
Nominal discharge current (8/20)	30 kA
Nominal discharge current (8/20 µs) [L-N]	30,00 kA
Nominal discharge current (8/20 µs) [N-PE]	30,00 kA
Maximum discharge current (8/20 µs)	50,00 kA
Impulse discharge current (10/350)	7,00 kA
Lightning impulse current (10/350) (L-N)	7,00 kA
Lightning surge current (10/350)	21,00 kA
Arrester surge current (8/20) [total]	90,00 kA
Protection level	<1,5 kV
Response time	< 25 ns
Maximum back-up fuse	160,00 A
Temperature range	-40+80 °C
Pole version	3
Pole number	3
Version	3-pole complete
Version	3-pole
Protection rating	IP20
Protection rating	IP 20
Blow-out	<input type="checkbox"/>
Division unit TE (17.5 mm)	3
Remote signalling	<input type="checkbox"/>
Telecommunications contact	<input type="checkbox"/>
Connection cross-section, flexible	2,50 - 25,00 mm ²
Connection cross-section, rigid	2,50 - 35,00 mm ²
Connection cross-section, multi-wire	2,50 - 35,00 mm ²
Signalling on device	Visual