

# Technical data sheet

## Base V20 and V25 2pole with remote signaling

Item no. 5096316

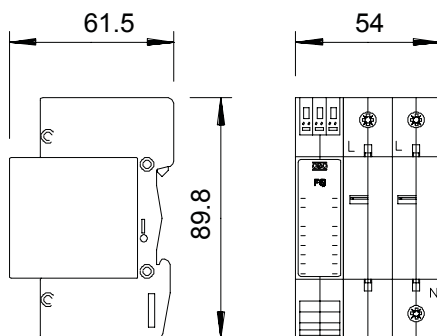


Base

- Suitable for V 25-B+C or V 20-C
- With remote signalling and potential-free changeover contact for function monitoring
- Pre-mounted and ready for connection



### Dimensions



### Master data

Item no.	5096316
Type	V20-C U-2 FS
Description 1	Bottom part V20 and V25
Description 2	with remote signalling
Dimension	3-polig
Smallest sales unit (VG)	1 Piece
Weight	22,00 kg/100 pc.

### Technical data

Temperature range	-40+80 °C
Pole version	2
Version	2-pole with RS; lower part
Version	2-pole
Protection rating	IP20
Protection rating	IP 20
Division unit TE (17.5 mm)	3
Telecommunications contact	<input checked="" type="checkbox"/>
Connection cross-section, flexible	2,50 - 25,00 mm <sup>2</sup>

# Technical data sheet

## Base V20 and V25 2pole with remote signaling

Item no. 5096316



### Technical data

Connection cross-section, rigid	2,50 - 35,00 mm <sup>2</sup>
Connection cross-section, multi-wire	2,50 - 35,00 mm <sup>2</sup>
Signalling on device	None