

# Technical data sheet

## Surge arrester, 3-pole 550 V

Item no. 5094715



Surge arrester, type 2

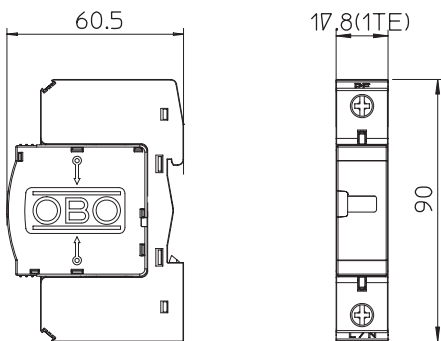
- For surge protection equipotential bonding to VDE 0100-443 (IEC 60364-4-44)
- Arresting capacity to 40 kA (8/20) per pole
- Plug-in arrester with dynamic cut-off unit and visual function display
- High-performance varistor technology

Application: Equipotential bonding (LPZ 1 to 2) in main and sub-distributors.

\* Complete = cover and base



### Dimensions



### Master data

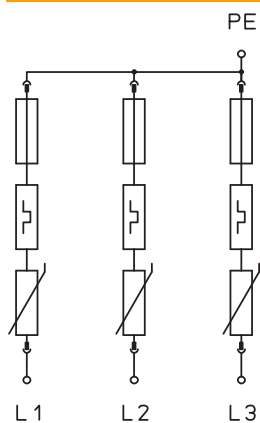
Item no.	5094715
Type	V20-C 3-550
Description 1	SurgeController V20
Description 2	3-pole version
Dimension	550V
Smallest sales unit (VG)	1 Piece
Weight	36,00 kg/100 pc.

# Technical data sheet

## Surge arrester, 3-pole 550 V

Item no. 5094715

### Technical data



SPD to EN 61643-11	Type 2
SPD to IEC 61643-11	Class II
Test class, type 2	<input checked="" type="checkbox"/>
Nominal voltage	500,00 V
Maximum continuous voltage AC	550,00 V
Max. continuous operating voltage	550,00 V
Nominal discharge current (8/20)	15 kA
Maximum discharge current (8/20 μs)	40,00 kA
Arrester surge current (8/20) [total]	45,00 kA
Protection level	< 2,4 kV
Response time	< 25 ns
Maximum back-up fuse	125,00 A
Temperature range	-40+80 °C
Pole version	3
Version	3-pole
Version	3-pole
Mounting type	Hat rail 35 mm
Installation type	DIN rail 35 mm
Protection rating	IP20
Protection rating	IP 20
Blow-out	<input type="checkbox"/>
Division unit TE (17.5 mm)	3
Remote signalling	<input type="checkbox"/>
Telecommunications contact	<input type="checkbox"/>
Integrated back-up fuse	<input type="checkbox"/>
Max. cable cross-section flexible (fine-wire)	25,00 mm <sup>2</sup>
Max. cable cross-section rigid (single wire/multi-wire)	35,00 mm <sup>2</sup>
Connection cross-section, flexible	2,50 - 25,00 mm <sup>2</sup>
Connection cross-section, rigid	2,50 - 35,00 mm <sup>2</sup>
Connection cross-section, multi-wire	2,50 - 35,00 mm <sup>2</sup>
Signalling on device	Visual