

Technical data sheet

Surge arrester, 1-pole + NPE 385 V

Item no. 5094666



Surge arrester, type 2

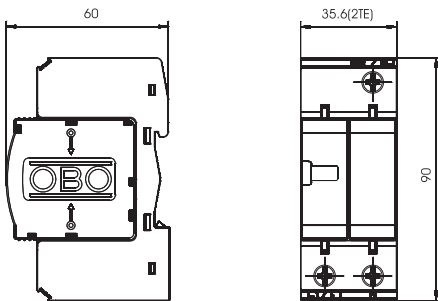
- Complete unit consisting of upper part and base, pre-mounted and ready for connection
- Suitable for TN and TT network systems
- Plug-in upper part; upper part can be separated from base without tools
- Incl. thermal and dynamic cut-off unit
- With visual display of defects
- High current conductivity and long service life
- Labelled connections

Application example: Residential buildings, single-family homes and industrial

* Complete = cover and base



Dimensions



Master data

Item no.	5094666
Type	V20-C 1+NPE-385
Description 1	SurgeController V20
Description 2	1+1 version
Dimension	385V
Smallest sales unit (VG)	1 Piece
Weight	23,30 kg/100 pc.

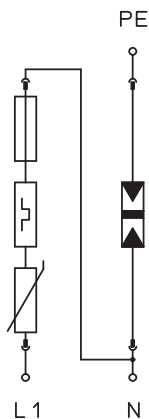
Technical data sheet

Surge arrester, 1-pole + NPE 385 V

Item no. 5094666



Technical data



SPD to EN 61643-11	Type 2
SPD to IEC 61643-11	Class II
Test class, type 2	<input checked="" type="checkbox"/>
Nominal voltage	230,00 V
Maximum continuous voltage AC	385,00 V
Max. continuous operating voltage	385,00 V
Nominal discharge current (8/20)	20 kA
Maximum discharge current (8/20 μ s)	40,00 kA
Arrester surge current (8/20) [total]	40,00 kA
Protection level	< 1,7 kV
Response time	< 25 ns
Maximum back-up fuse	125,00 A
Temperature range	-40+80 °C
Pole version	1+N/PE
Version	1+NPE
Version	1 + NPE
Mounting type	Hat rail 35 mm
Installation type	DIN rail 35 mm
Protection rating	IP20
Protection rating	IP 20
Blow-out	<input type="checkbox"/>
Division unit TE (17.5 mm)	2
Remote signalling	<input type="checkbox"/>
Telecommunications contact	<input type="checkbox"/>
Integrated back-up fuse	<input type="checkbox"/>
Max. cable cross-section flexible (fine-wire)	25,00 mm ²
Max. cable cross-section rigid (single wire/multi-wire)	35,00 mm ²
Connection cross-section, flexible	2,50 - 25,00 mm ²
Connection cross-section, rigid	2,50 - 35,00 mm ²
Connection cross-section, multi-wire	2,50 - 35,00 mm ²
Signalling on device	Visual