

Technical data sheet

Surge Controller V20 1pole 320V



Item no. 5094684



Surge arrester, type 2, 320 V

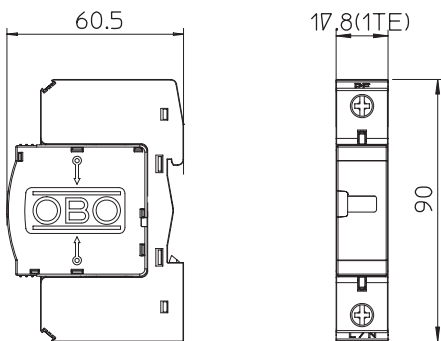
- For surge protection equipotential bonding to VDE 0100-443 (IEC 60364-4-44)
- Arresting capacity to 40 kA (8/20) per pole
- Arrester, connectable with dynamic cut-off unit and visual function display
- Encapsulated, non-extinguishing zinc oxide varistor arrester for use in distributor housings

Application: Equipotential bonding (LPZ 1 to 2) in main and sub-distributors.

* Complete = cover and base



Dimensions



Master data

Item no.	5094684
Type	V20-C 1-320
Description 1	SurgeController V20
Description 2	single pole version
Dimension	320V
Smallest sales unit (VG)	1 Piece
Weight	12,50 kg/100 pc.

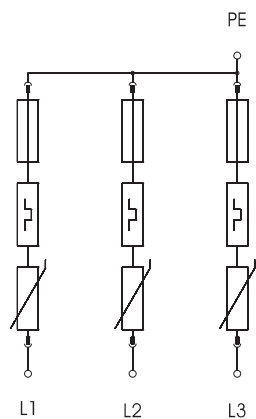
Technical data sheet

Surge Controller V20 1pole 320V

Item no. 5094684



Technical data



SPD to EN 61643-11	Type 2
SPD to IEC 61643-11	Class II
Test class, type 2	<input checked="" type="checkbox"/>
Nominal voltage	230,00 V
Maximum continuous voltage AC	320,00 V
Max. continuous operating voltage	320,00 V
Nominal discharge current (8/20)	20 kA
Maximum discharge current (8/20 μs)	40,00 kA
Arrester surge current (8/20) [total]	20,00 kA
Protection level	< 1,4 kV
Response time	< 25 ns
Maximum back-up fuse	125,00 A
Temperature range	-40+80 °C
Pole version	1
Version	1-pole
Version	1-pole
Mounting type	Hat rail 35 mm
Installation type	DIN rail 35 mm
Protection rating	IP20
Protection rating	IP 20
Division unit TE (17.5 mm)	1
Integrated back-up fuse	<input type="checkbox"/>
Max. cable cross-section flexible (fine-wire)	25,00 mm ²
Max. cable cross-section rigid (single wire/multi-wire)	35,00 mm ²
Connection cross-section, flexible	2,50 - 25,00 mm ²
Connection cross-section, rigid	2,50 - 35,00 mm ²
Connection cross-section, multi-wire	2,50 - 35,00 mm ²
Signalling on device	Visual