

Technical data sheet

Surge arrester V20, 2-pole, 550 V

Item no. 5095212



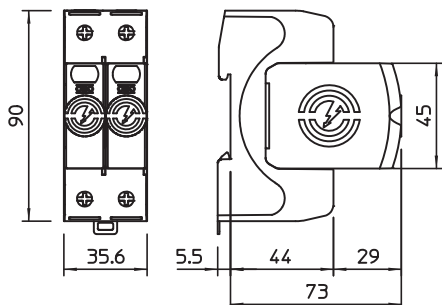
Surge arrester, type 2

- For surge voltage protection equipotential bonding to VDE 0100-443 (IEC 60364-4-44)
- Discharge capacity to 40 kA (8/20) per pole through high-performance varistors
- Modular connectable arrester with cut-off unit and visual status display
- Locking mechanism with vibration protection and voltage keying
- Plastic to UL 94 V-0
- The remote signalling variants (FS) have a potential-free changeover contact for remote signalling

Application: Equipotential bonding in main and sub-distributions.



Dimensions



Master data

| | |
|--------------------------|---------------------|
| Item no. | 5095212 |
| Type | V20-2-550 |
| Description 1 | SurgeController V20 |
| Description 2 | 2-pole |
| Dimension | 550V |
| Smallest sales unit (VG) | 1 Piece |
| Weight | 27,00 kg/100 pc. |

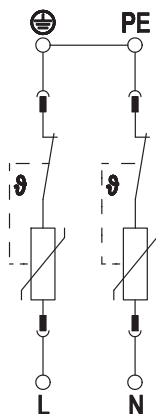
Technical data sheet

Surge arrester V20, 2-pole, 550 V

Item no. 5095212



Technical data



| | |
|--|-------------------------------------|
| SPD to EN 61643-11 | Type 2 |
| SPD to IEC 61643-11 | Class II |
| SPD to UL 1449 | Type 4 |
| Test class, type 2 | <input checked="" type="checkbox"/> |
| Nominal voltage AC (50/60 Hz) | 400,00 V |
| Maximum continuous voltage AC | 550,00 V |
| Maximum continuous voltage (L-N) | 550,00 V |
| Nominal discharge current (8/20 µs) | 15,00 kA |
| Nominal discharge current (8/20 µs) [L-N] | 20,00 kA |
| Maximum discharge current (8/20 µs) | 40,00 kA |
| Maximum discharge current (8/20 µs) [L-N] | 40,00 kA |
| Arrester surge current (8/20 µs) [total] | 80,00 kA |
| Protection level | 2,40 kV |
| Protection level [L-N] | 2,40 kV |
| Residual voltage [L-N] @ 1 kA | 1,7 kV |
| Residual voltage [L-N] @ 5 kA | 2,1 kV |
| Response time | 25 ns |
| Response time [L-N] | 25 ns |
| Max. mains-side overcurrent protection | 160 A gL/gG |
| Short-circuit withstand for max. mains-side overcurrent protection | 50 kA eff |
| Short-circuit resistant | <input checked="" type="checkbox"/> |
| TOV voltage [L-N] – fail safe mode – 120 min. | 915,00 V |
| TOV voltage [L-N] – withstand mode – 5 s | 700,00 V |
| Operating temperature range | -40+80 °C |
| Humidity | 5,00 - 95,00 % |
| Function/defect display | Optical |
| Ports | One-Port SPD |
| Pole version | 2 |
| Pole number | 2 |
| Connection cross-section (min.) | 1,50 mm ² |
| Connection cross-section (max.) | 35,00 mm ² |
| Connection cross-section (min.) | 16,00 AWG |
| Connection cross-section (max.) | 2,00 AWG |
| Torque | 4,00 Nm |
| Torque | 35,00 Lbs |
| Mounting type | Hat rail 35 mm |
| Housing material | PA UL 94 V-0 |
| Installation location | Interior |
| Protection rating | IP20 |
| Installation dimensions (LxWxH) | 90x35,6x78,5 mm |
| Minimum distance | 1,50 mm |
| Approvals | |
| Protective conductor current | < 500 µA |
| Blow-out | <input type="checkbox"/> |
| Size | 2 part units |
| Remote signalling | <input type="checkbox"/> |
| Integrated back-up fuse | <input type="checkbox"/> |

Technical data sheet

Surge arrester V20, 2-pole, 550 V

Item no. 5095212



Technical data

| | |
|---|------------------------------|
| Max. cable cross-section flexible (fine-wire) | 35,00 mm ² |
| Max. cable cross-section rigid (single wire/multi-wire) | 35,00 mm ² |
| Conductor cross-section, flexible (fine-wire) | 1,50 - 35,00 mm ² |
| Conductor cross-section, flexible (fine-wire) | 16,00 - 2,00 AWG |
| Conductor cross-section, rigid (single wire/multi-wire) | 16,00 - 2,00 AWG |
| Conductor cross-section, rigid (single wire/multi-wire) | 1,50 - 35,00 mm ² |
| Signalling on device | Visual |