

Technical data sheet

Surge protection for high-speed networks up to 1 GBit
(Class ND-CAT6/E-F)
Item no. 5081802



Data cable protection device for high-speed networks

- High-quality RJ45 sockets
- Low protection level at high current load
- Earthing via DIN rail or connection cable
- Support of Power over Ethernet ++ (PoE++/4PPoE) to 1 A in accordance with IEEE 802.3
- Tested transmission quality in networks up to 1 GBit/s (Class E) or CAT6
- Fast installation through plug-in version
- Incl. DIN rail fastening set and earthing cable

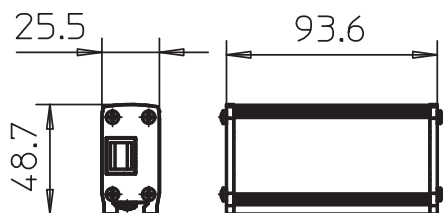
Application example: 1 GBit Ethernet, 10/100 MBit Ethernet, PoE applications, IP camera systems, ISDN S0 interfaces

- High-quality RJ45 sockets
- Support for Power over Ethernet + to 1 A
- Tested transmission quality in networks up to 1 GBit (Class E) or CAT6
- Rapid installation through connectable design
- Including fastening set for mounting on the DIN rail



Alu Aluminium

Dimensions



Master data

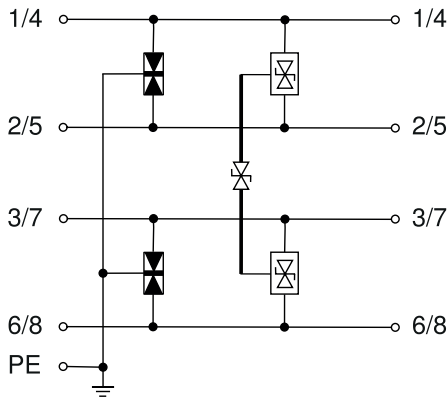
Item no.	5081802
Type	ND-CAT6/E-F
Description 1	Net Defender fine protection
Description 2	for Class E/CAT6
Dimension	58V
Colour	Silver grey
RAL number	7001
Material	Aluminium
Material symbol	Alu
Smallest sales unit (VG)	1 Piece
Weight	16,38 kg/100 pc.

Technical data sheet

Surge protection for high-speed networks up to 1 GBit
(Class ND-CAT6/E-F)
Item no. 5081802



Technical data



Category	Type 2+3 / C2+C1
SPD to IEC 61643-21	Class II+III / C2+C1
Version	Fine protection, 8 wires + shield
Number of poles	8
Channel performance ISO/IEC	Class E
Channel performance Ansi/EA	CAT 6
Insertion loss	≤3 dB
Earthing via:	Connection cable / DIN rail
Explosion-tested version	<input type="checkbox"/>
Telecommunications contact	<input type="checkbox"/>
Total discharge current (8/20)	5 kA
Frequency range	>250 MHz
Maximum continuous voltage AC	41,00 V
Maximum continuous voltage DC	58,00 V
Lightning protection zone LPZ	1→3
Rated current	1,00 A
Installation type	Connector/cable adapter
Testing standard	IEC 61643-21
Shielding connection available	Yes
Shield connection	Direct
Protection rating	IP10
Protection level wire-wire	<40 V
Protection level wire-earth	<900 V
Connection system	RJ45 8(8)
Impulse durability wire-wire	C1: 0,3 kV / 0,15 kA (8/20µs)
Impulse durability wire-earth	C2: 3 kV / 1,5 kA (8/20µs)
Temperature range	-40+80 °C