

Technical data sheet

Series protection device, 4-pole, 5 V version

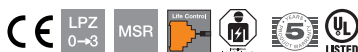
Item no. 5098413



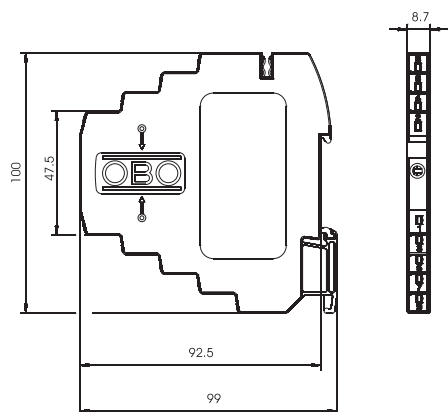
Lightning barrier with test function; 5 V version

- Rated load current 10 A
- Protection device for multi-wire systems
- Direct shield earthing and screwless connection terminals
- Space-saving width of just 8.7 mm
- Protection circuit testable with Life Control
- High bandwidth to 100 MHz
- UL-listed (4DG1)

Application: Universal use on 35 mm DIN rail in any standard distribution housing.



Dimensions



Master data

| | |
|--------------------------|---------------------------|
| Item no. | 5098413 |
| Type | MDP-4 D-5-T-10 |
| Description 1 | Lightning barrier |
| Description 2 | for high nominal currents |
| Dimension | 5V |
| Smallest sales unit (VG) | 1 Piece |
| Weight | 7,20 kg/100 pc. |

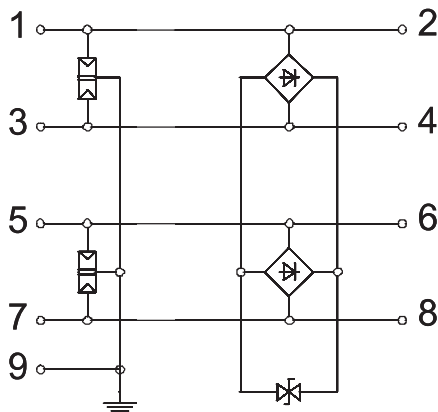
Technical data sheet

Series protection device, 4-pole, 5 V version

Item no. 5098413



Technical data



| | |
|--------------------------------------|-------------------------------|
| Category | Type 1+2+3 / D1+C2+C1 |
| SPD to IEC 61643-21 | Class I+II+III / D1+C2+C1 |
| Connection cross-section, flexible | 0,14 - 2,50 mm ² |
| Connection cross-section, multi-wire | 0,14 - 1,50 mm ² |
| Connection cross-section, rigid | 0,14 - 2,50 mm ² |
| Number of poles | 4 |
| Insertion loss | ≤3 dB |
| Earthing via: | DIN rail |
| Total discharge current (8/20) | 10 kA |
| Total discharge current (10/350) | D1: 2 kA |
| Frequency range | 0 - 100 MHz |
| Frequency range | 0,00 - 100,00 MHz |
| Cut-off frequency | 100,00 MHz |
| Maximum continuous voltage AC | 7,00 V |
| Maximum continuous voltage DC | 10,00 V |
| Insulation resistance | >10 MΩ |
| Impulse discharge current (10/350) | 2,00 kA |
| Capacity (wire-wire) | < 40 pF |
| Lightning protection zone LPZ | 0→3 |
| Nominal voltage | 5,00 V |
| Rated current | 10,00 A |
| Nominal load current AC | 0,70 A |
| Nominal load current DC | 10,00 A |
| Installation type | DIN rail |
| Testing standard | IEC 61643-21 |
| Shielding connection available | Yes |
| Shield connection | Direct |
| Protection rating | IP20 |
| Protection level wire-wire | <45 V |
| Protection level wire-earth | <800 V |
| Signalling on device | Readable |
| Connection system | Terminal |
| Impulse durability wire-wire | C1: 0,5 kV / 0,25 kA (8/20μs) |
| Temperature range | -40-+80 °C |
| Approvals | |