

Technical data sheet

MultiBase base

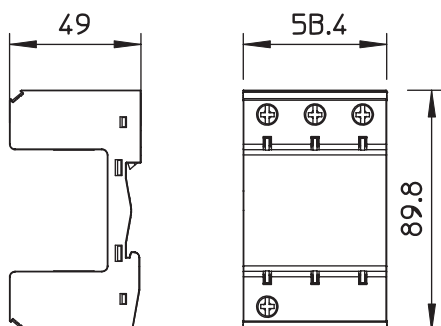
Item no. 5096665



- Suitable for V25-B+C, V20-C and V10-C
- Pre-mounted and ready for connection
- For TN systems
- Multifunction terminals for easy circuit of series-mounted devices
- Upper parts can be rotated through 180 degrees



Dimensions



Master data

Item no.	5096665
Type	MB 3
Description 1	MultiBase
Description 2	3-pole
Dimension	3-pole
Smallest sales unit (VG)	1 Piece
Weight	16,00 kg/100 pc.

Technical data

Temperature range	-40+80 °C
Pole version	3
Version	3-pole
Version	3-pole
Mounting type	Hat rail 35 mm
Installation type	DIN rail 35 mm
Protection rating	IP20
Protection rating	IP 20
Division unit TE (17.5 mm)	3

Technical data sheet

MultiBase base

Item no. 5096665



Technical data

Connection cross-section, flexible	2,50 - 25,00 mm ²
Connection cross-section, rigid	2,50 - 35,00 mm ²
Connection cross-section, multi-wire	2,50 - 35,00 mm ²
Signalling on device	None