

# Technical data sheet

## FineController FC-TAE for telephone systems and terminals

Item no. 5092824



Type 3 combined surge protection to EN 61643-11, designed for use in telephone systems with TAE connection (telephones upstream of the NTBA/DSL splitter).

- Adapter connector
- Cut-off unit and function display
- With increased contact protection
- Incl. 0.5 m connection cable TAE / RJ11
- Maximum continuous voltage, TAE connection 200 V DC / 1.5 A (25 °C)
- Limit frequency: type 4 MHz / VDSL up to 46 MBit/s

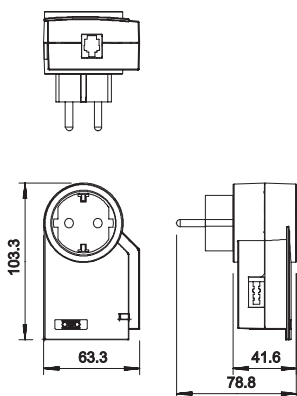
Note: The technical data in the table below refers to the power supply.



### Master data

Item no.	5092824
Type	FC-TAE-D
Description 1	FineController
Description 2	including telephone protection
Dimension	230V
Colour	Pure white
RAL number	9010
Smallest sales unit (VG)	1 Piece
Weight	18,00 kg/100 pc.

### Technical data



SPD to EN 61643-11	Type 3
SPD to IEC 61643-11	Class III
Response time	<25 ns
Blow-out	<input type="checkbox"/>
Telecommunications contact	<input type="checkbox"/>
Max. continuous operating voltage	275,00 V
Country-specific version	EN
Lightning protection zone LPZ	2→3
Nominal discharge current (8/20)	3 kA
Rated current	16,00 A
Nominal voltage	230,00 V
Installation type	Adapter
Maximum discharge current (8/20 μs)	8,00 kA
Maximum back-up fuse	16,00 A
With interference suppression filter	<input type="checkbox"/>
Test class, type 3	<input checked="" type="checkbox"/>
Frequency range	0-4 MHz
Frequency range	0,00 - 4,00 MHz
Cut-off frequency	4,00 MHz
Protection rating	IP 20
Protection rating	IP20

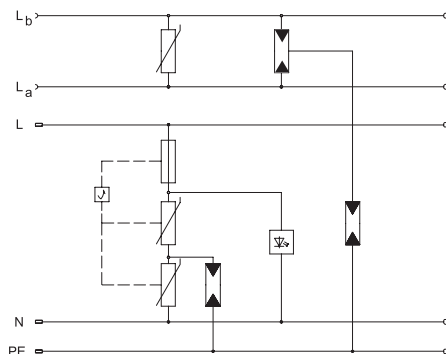
# Technical data sheet

## FineController FC-TAE for telephone systems and terminals

Item no. 5092824



### Technical data



Protection level	< 1,5 kV
Protection level (N-PE)	< 1,5 kV
Protection level (L-N)	< 1,2 kV
Protection level (L-N / L/N-PE)	<1200 / <1500 V
Signalling on device	Visual
Temperature range	-25°C-+75°C °C