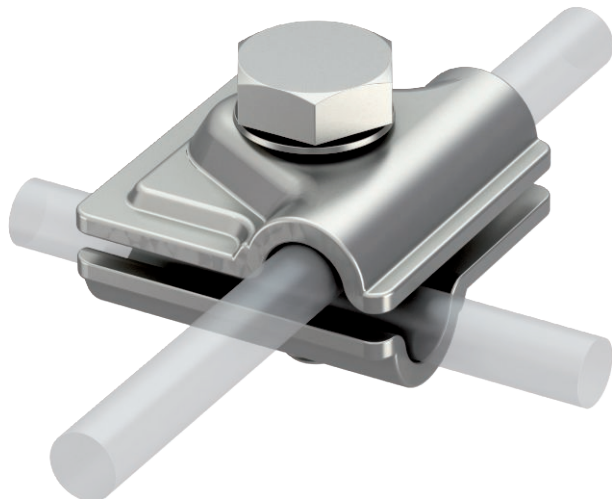


Technical data sheet

Vario quick connector

Item no. 5311404



- For T, intersection and parallel connections
- Complete component made of A4
- Quick mounting using an M10 x 30 bolt, made from rustproof stainless steel
- Meets the requirements of VDE 0185-305 (IEC 62305)



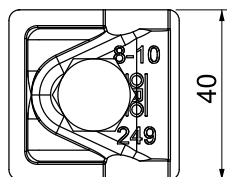
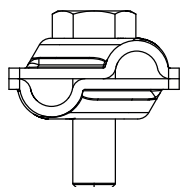
VA Stainless steel, rustproof 1.4571/1.4404

Product description

Master data

Item no.	5311404
Type	249 8-10 V4A
Description 1	Quick connector round/round
Description 2	Vario
Dimension	40x40
Material	Stainless steel, 316Ti / 316L
Material symbol	A4
Quality	1.4571/1.4404
Weight	9,50 kg/100 pc.

Technical data



Length	40,00 mm
Dimension A	40,00 mm
Connection	Round conductor
TBS application	Connection system
Type of fastening screw	Hex set screw
Type of connector	Multipurpose connection clamp
Earthing and lightning protection version	Only terminal
Lightning current carrying capacity	H/100 kA
Suitable for connection	Round conductor Rd 8-10 / Rd 8-10
Short-circuit current (50 Hz)(1 s; ≤300°C)	1,40 kA
Fit	Rd 8-10 mm
Intermediate plate	<input type="checkbox"/>