

Technical data sheet

Fixed earthing terminal with double thread

Item no. 5420020



- For connection to earthing systems, arresters and reinforcements
- Contact plate: \varnothing 80 mm made of stainless steel, rustproof (V4A)
- Double thread M10/M12
- Incl. plastic cover for simple installation

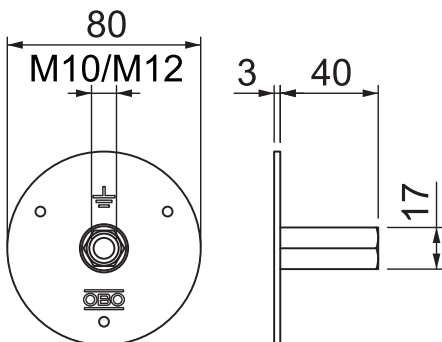


VA Stainless steel, rustproof 1.4404

Master data

Item no.	5420020
Type	205 DG V4A
Description 1	Earthing fixed point
Description 2	with double thread
Dimension	M10/M12
Material	Stainless steel, material no. 1.4404
Material symbol	A4
Quality	1,44
Smallest sales unit (VG)	10 Piece
Weight	14,80 kg/100 pc.

Technical data



Lightning current carrying capacity	H/100 kA
Diameter of the connection plate	80,00 mm
Thread	M10/M12
Short-circuit current (50 HZ)(1 s; \leq 300°C)	6,20 kA
Material of the connection strap	Stainless steel, rustproof (V4A)