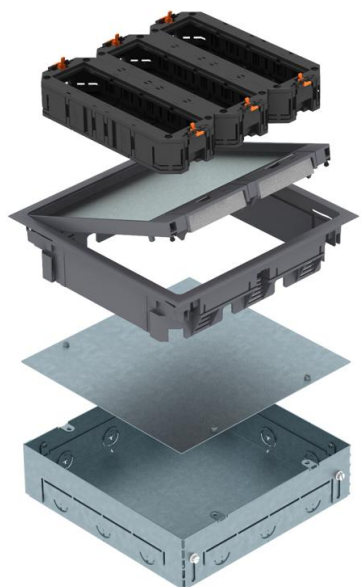


Technical data sheet

Underfloor box with GES9

Item number: 7427479



Square screed socket with GES9 service outlet for use in screed floors for indoor use. With pre-marked insertion openings for pipelines (M25) on all four sides.

In the as-delivered state, the installation housing is closed with a mounting protection lid.

The minimum installation depth is 64 mm, the height-adjustment range +23 mm.



PA Polyamide

Master data

Item number	7427479
Type	SFB GES9 7011 MT
Description 1	Service outlet
Description 2	with module supports
Manufacturer	OBO
Dimension	264x264x135
Colour	Iron grey; RAL 7011
Material	Polyamide
Smallest sales unit	1
Unit of quantity	Piece
Weight	420 kg
Weight unit	kg/100 pc.

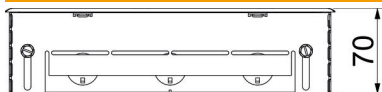
Technical data sheet

Underfloor box with GES9

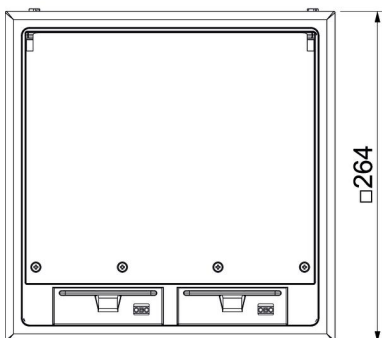
Item number: 7427479



Dimensions



Length	264 mm
Width	264 mm



Technical data

Number of installable devices	12
Number of mounting boxes	3
Cable outlet version	Swivellable cord outlet
Floor covering protection frame	yes
Floor care	Dry
Seal installation option	no
Suitable for raised floor installation	no
Suitable for screed-flush closed underfloor ducts	no
Suitable for screed-covered underfloor ducts	no
Suitable for cavity floor installation	no
Suitable for wet care	no
Suitable for underfloor ducts	no
Device support to accept mounting boxes	yes
Length of external dimensions	264 mm
With floor covering recess	yes
Nominal size for device installation units	9
Height-adjustment range, max.	93 mm
Height-adjustment range, min.	83 mm
Frame version	Carpet protection frame
Protection rating (IP) when used	IP20
Protection rating (IP) when unused	IP40
Protection rating IK code	IK08
Heavy-duty version	yes
Installation system type	MT4
Opening mechanism	Handle
Floor covering thickness	10 mm

Technical data sheet

Underfloor box with GES9

Item number: 7427479

