

Technical data sheet

Height-adjustable cassette with cord outlet, RKS2, stainless steel

Item number: 7409280



Height-adjustable cassette of nominal size R9 with cord outlet for installation of accessories in dry-care floors for indoor use.
Height-adjustable cassette for cord outlet, 3-compartment. 3 APMT5 cover plates can be installed. For the installation of 3 UT4 universal supports for 9 individual installation devices with support ring/support clamp or 12 Modul 45 devices.



VA Stainless steel, grade 354/1

Master data

Item number	7409280
Type	RKS2 R9 V25
Description 1	Round cassette
Description 2	with cord outlet
Manufacturer	OBO
Dimension	Ø305mm
Material	Stainless steel, grade 354/1
Smallest sales unit	1
Unit of quantity	Piece
Weight	420 kg
Weight unit	kg/100 pc.

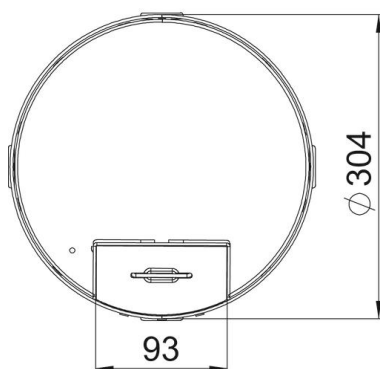
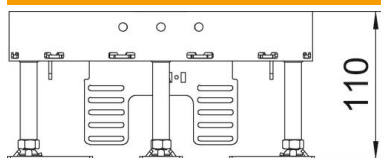
Technical data sheet

Height-adjustable cassette with cord outlet, RKSR, stainless steel

Item number: 7409280



Dimensions



Length	304 mm
Width	304 mm

Technical data

Number of installable devices	12
Number of mounting boxes	3
Number of cable outlets	1
Version for	Round
Cable outlet version	Swivellable cord outlet
Floor care	Dry
Decouplable	no
Floor height, max.	155 mm
Floor height, min.	110 mm
Suitable for raised floor installation	yes
Suitable for cavity floor installation	yes
Suitable for underfloor box	350
Device support to accept mounting boxes	yes
Nominal size for device installation units	R9
Height-adjustment range, max.	155 mm
Height-adjustment range, min.	110 mm
Protection rating (IP) when used	IP20
Protection rating (IP) when unused	IP40
Protection rating IK code	IK10
Heavy-duty version	no
Installation system type	UT4
Vertical load, large area	to 5,000 N
Vertical load, small area	to 3,000 N
Approvals	VDE