

Technical data sheet

Height-adjustable cassette for inspection opening, RKR,
stainless steel

Item number: 7409110



Height-adjustable "blank" cassette for the creation of an inspection opening of nominal size R7 in dry or wet-cleaned floors for indoor use. Only suitable for smooth floor coverings.

Height-adjustable cassette as a blind cassette, 3-compartment. Two APMT2 cover plates and one APMT5 cover plate can be installed. For the installation of 2 UT3 universal supports and one UT4 universal support for 7 individual installation devices with support ring/support clamp or 10 Modul 45 devices.



VA

Stainless steel, grade 354/1

Master data

Item number	7409110
Type	RKR2 7V 25
Description 1	Round cassette
Description 2	blank
Manufacturer	OBO
Dimension	Ø275mm
Material	Stainless steel, grade 354/1
Smallest sales unit	1
Unit of quantity	Piece
Weight	572 kg
Weight unit	kg/100 pc.

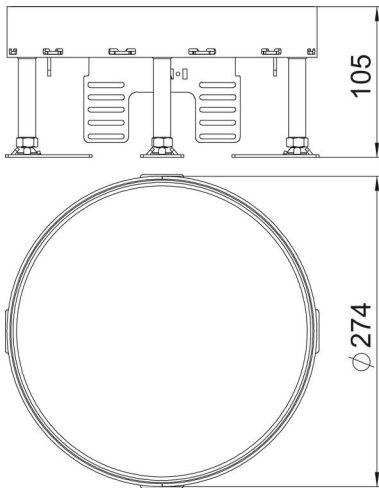
Technical data sheet

Height-adjustable cassette for inspection opening, RKR,
stainless steel

Item number: 7409110



Dimensions



Length	274 mm
Width	274 mm

Technical data

Number of installable devices	0
Number of mounting boxes	3
Number of cable outlets	0
Version for	Round
Cable outlet version	No cable outlet
Floor care	Wet
Decouplable	no
Floor height, max.	155 mm
Floor height, min.	105 mm
Suitable for raised floor installation	yes
Suitable for cavity floor installation	yes
Suitable for underfloor box	350
Device support to accept mounting boxes	no
Nominal size for device installation units	R7
Height-adjustment range, max.	155 mm
Height-adjustment range, min.	105 mm
Protection rating (IP) when used	IP00
Protection rating (IP) when unused	IP44
Protection rating IK code	IK10
Heavy-duty version	no
Installation system type	UT3 / UT4
Vertical load, large area	to 5,000 N
Vertical load, small area	to 3,000 N
Approvals	VDE