

Technical data sheet

Power supply for PDP-OS, 5 V

Item number: 5080452



Power supply for PDP-OS plug-in data cable protection with visual and remote signalling.

- Support of max. 25 PDP-OS
- Suitable for DIN rail mounting
- With visual signalling and option of remote signalling

Application: Universal lightning and surge protection for data transmission devices with MCR technology.



Master data

Item number	5080452
Type	PDP-PS
Description 1	Pluggable data line protection
Description 2	power supply
Manufacturer	OBO
Dimension	5V
Smallest sales unit	1
Unit of quantity	Piece
Weight	5.8 kg
Weight unit	kg/100 pc.
CO2 Footprint (GWP) Cradle-to-Gate	0,297 kg CO2e / 1 Piece

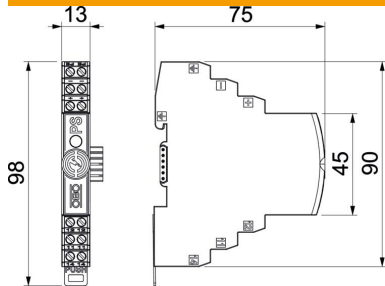
Technical data sheet

Power supply for PDP-OS, 5 V

Item number: 5080452

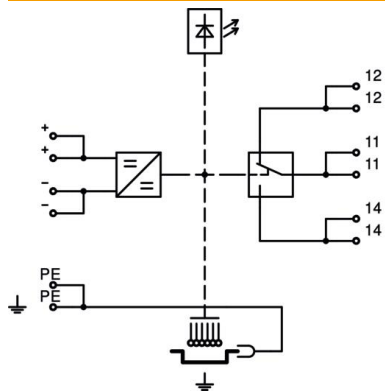


Dimensions



Length	75 mm
Width	13 mm
Height	98 mm

Technical data



Connection cross-section, flexible, max.	1.5 mm ²
Connection cross-section, flexible, min.	0.14 mm ²
Connection cross-section, multi-wire, max.	2.5 mm ²
Connection cross-section, multi-wire, min.	0.14 mm ²
Connection cross-section, rigid, max.	2.5 mm ²
Connection cross-section, rigid, min.	0.14 mm ²
Earthing via:	Connection cable
Telecommunications contact	yes
Mounting of input / output	Screw terminals
Mounting type	DIN rail 35 mm
Shielding connection available	no
Protection rating	IP20
Signalling on device	Visual
Permitted temperature range, max.	80 °C
Permitted temperature range, min.	-40 °C