

Technical data sheet

LightningController, plug-in arrester

Item number: 5096820



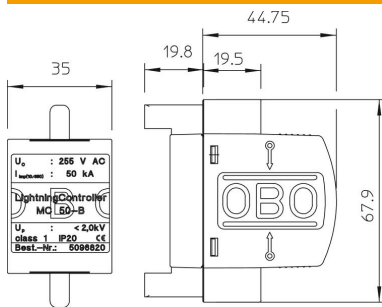
LightningController cover



Master data

Item number	5096820
Type	MC 50-B 0 VDE
Description 1	LightningController
Description 2	plug-in arrester
Manufacturer	OBO
Dimension	255V
Smallest sales unit	1
Unit of quantity	Piece
Weight	24 kg
Weight unit	kg/100 pc.

Dimensions



Length	100 mm
Width	35 mm
Height	69 mm

Technical data sheet

LightningController, plug-in arrester

Item number: 5096820



Technical data

Arrester surge current (8/20 μ s) [total]	50 kA
Response time	<100 ns
Blow-out	no
Version for	1-pole cover; 255 V
Pole version	1
Structural width in division units (division unit, 17.5 mm)	2
Operating temperature, max.	85 °C
Operating temperature, min.	-40 °C
Lightning surge current (10/350 μ s)	50 kA
Lightning surge current (10/350)	50 kA
Explosion-tested version	no
Remote signalling	no
Follow current quenching capacity (eff) [N-PE]	25 kA
Follow current quenching capacity leff	12.5
Maximum continuous voltage AC	255
Short-circuit resistance	25 kA
Short-circuit resistance for max. mains-side overcurrent protection	25 kA
Conductor cross-section, rigid (single-wire/multiwire), max.	50 mm ²
Conductor cross-section, rigid (single-wire/multiwire), min.	10 mm ²
Lightning protection zone LPZ	0→1
Max. mains-side overcurrent protection	500
Maximum back-up fuse	500 A
Installation type	On basic element
Nominal discharge current (8/20 μ s)	50 kA
Nominal voltage AC (50/60 Hz)	230 V
Network form	Other
Test class, type 1	yes
Protection rating	IP20
Protection level	≤2,0
Signalling on device	None
SPD to EN 61643-11	Type 1
SPD to IEC 61643-1	Class I