

Technical data sheet

VG housing with MCD 50-B/3



Item number: 5096874



Combination arrester, pre-installed in IP65 housing for use in TN-C networks.

VG...: Combination arrester system solution, type 1+2, according to EN 61643-11.

- LightningController MCD 50-B mounted in insulating housing IP 65, sealable housing
- Pulse current 150 kA 10/350 μ s / 50 kA (10/350) per pole, BET-tested
- Protection level < 1.7 kV
- Encapsulated, non-extinguishing spark gaps
- Suitable for TN-C network systems

Application: Industrial systems and buildings with external lightning protection of the highest Class I to IV.



Master data

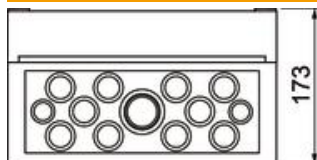
Item number	5096874
Type	MCD 50-B 3-VG
Description 1	CoordinatedLightningController
Description 2	set type 1 arrester in housing
Manufacturer	OBO
Dimension	255V
Smallest sales unit	1
Unit of quantity	Piece
Weight	315 kg
Weight unit	kg/100 pc.

Technical data sheet

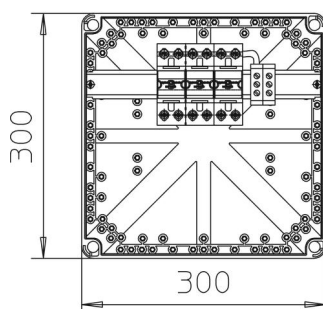
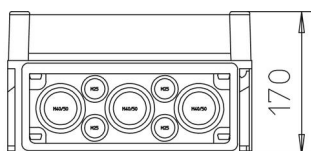
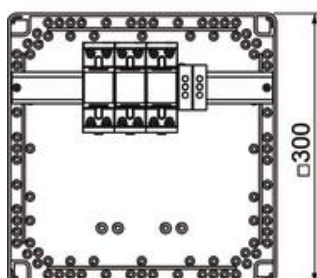
VG housing with MCD 50-B/3

Item number: 5096874

Dimensions



Length	300 mm
Width	300 mm
Height	170 mm



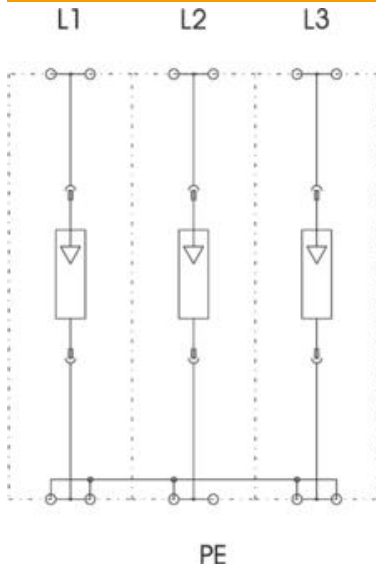
Technical data sheet

VG housing with MCD 50-B/3

Item number: 5096874



Technical data



Arrester surge current (8/20 μ s) [total]	150 kA
Response time	<100 ns
Blow-out	no
Pole version	3
Structural width in division units (division unit, 17.5 mm)	6
Operating temperature, max.	85 °C
Operating temperature, min.	-40 °C
Lightning surge current (10/350 μ s)	50 kA
Lightning surge current (10/350)	150 kA
Remote signalling	yes
Follow current quenching capacity left	10
Maximum continuous voltage AC	255
Short-circuit resistance	10 kA
Short-circuit resistance for max. mains-side overcurrent protection	10 kA
Conductor cross-section, rigid (single-wire/multiwire), max.	50 mm ²
Conductor cross-section, rigid (single-wire/multiwire), min.	10 mm ²
Lightning protection zone LPZ	0→2
Max. mains-side overcurrent protection	500
Maximum back-up fuse	500 A
Installation type	Pre-mounted in the housing
Nominal discharge current (8/20 μ s)	50 kA
Nominal voltage AC (50/60 Hz)	230 V
Network form	TN-C
DC network form	no
IT network form	no
Other network form	no
TN network form	yes
TN-C network form	yes
TN-C-S network form	no
TN-S network form	no
TT network form	no
OBO_Nominal load current (input/output terminal)	125 A
Test class, type 1	yes
Test class, type 2	yes
Protection rating	IP54
Protection level	≤1,7
Protection level [L-N]	≤1,7
Signalling on device	None
SPD to EN 61643-11	Type 1+2
SPD to IEC 61643-1	Class I+II
Cable type for surge protection devices	Power cable AV