

Technical data sheet

Coordinated Lightning Controller, plug-in arrester with function display

Item number: 5096827



Combination arrester, type 1+2, plug-in arrester with visual display.

- Lightning current arresting capacity 50 kA (10/350)
- Power consumption < 26 mW/pole
- Protection level < 1.7 kV
- Line current quenching capacity 10 kA
- Encapsulated, non-extinguishing spark gap

Application: Installations of surge protection devices, type 1+2, in a distribution.



Master data

Item number	5096827
Type	MCD 50-B 0-OS
Description 1	Coordinated Lightning Controller
Description 2	with function display
Manufacturer	OBO
Dimension	255V
Smallest sales unit	1
Unit of quantity	Piece
Weight	19.5 kg
Weight unit	kg/100 pc.

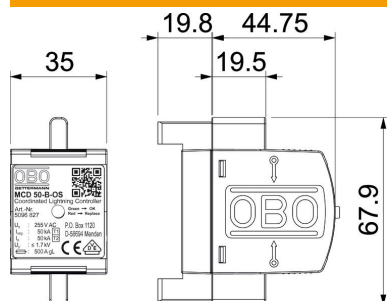
Technical data sheet

Coordinated Lightning Controller, plug-in arrester with function display

Item number: 5096827



Dimensions



Length	100 mm
Width	35 mm
Height	69 mm

Technical data sheet

Coordinated Lightning Controller, plug-in arrester with function display

Item number: 5096827



Technical data

Arrester surge current (8/20 µs) [total]	50 kA
Response time	<100 ns
Blow-out	no
Version for	1-pole
Pole version	1
Structural width in division units (division unit, 17.5 mm)	2
Operating temperature, max.	85 °C
Operating temperature, min.	-40 °C
Lightning surge current (10/350 µs)	50 kA
Lightning surge current (10/350)	50 kA
Remote signalling	no
Follow current quenching capacity I_{eff}	10
Maximum continuous voltage (L-N)	255 V
Maximum continuous voltage AC	255
Short-circuit resistance	10 kA
Short-circuit resistance for max. mains-side overcurrent protection	10 kA
Conductor cross-section, rigid (single-wire/multiwire), max.	50 mm ²
Conductor cross-section, rigid (single-wire/multiwire), min.	10 mm ²
Lightning protection zone LPZ	0→2
Max. mains-side overcurrent protection	500
Maximum back-up fuse	500 A
Installation type	On basic element
Nominal discharge current (8/20 µs)	50 kA
Nominal discharge current (8/20 µs) [L-N]	50 kA
Nominal voltage AC (50/60 Hz)	230 V
Network form	Other
DC network form	no
IT network form	no
Other network form	no
TN network form	yes
TN-C network form	yes
TN-C-S network form	yes
TN-S network form	yes
TT network form	yes
OBO_Nominal load current (input/output terminal)	125 A
Pole number	1
Test class, type 1	yes
Test class, type 2	yes
Protection rating	IP20
Protection level	≤1,7
Protection level [L-N]	≤1,7
Signalling on device	Visual
SPD to EN 61643-11	Type 1+2
SPD to IEC 61643-1	Class I+II
Approvals	VDE

Technical data sheet

Coordinated Lightning Controller, plug-in arrester with function display

Item number: 5096827

