

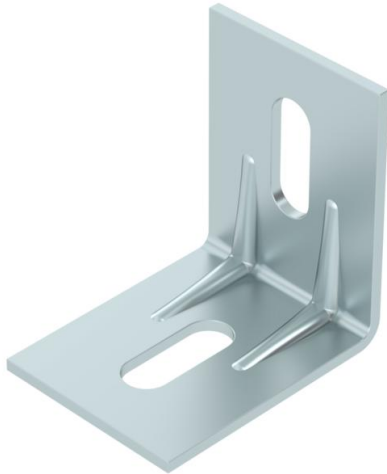
Technical data sheet

Ceiling bracket K6 FS

Item number: 6343090



Ceiling bracket for fixing to suspension profile, type AP 45, also usable as universal bracket.



- St** Steel
- FS** Strip galvanized

Master data

Item number	6343090
Type	K 6 101 FS
Description 1	Ceiling bracket
Manufacturer	OBO
Colour	zinc
Material	Steel
Surface	Strip galvanized
Surface standard	DIN EN 10346
Smallest sales unit	40
Unit of quantity	Piece
Weight	7 kg
Weight unit	kg/100 pc.
CO2 Footprint (GWP) Cradle-to-Gate	0,1925 kg CO2e / 1 Piece

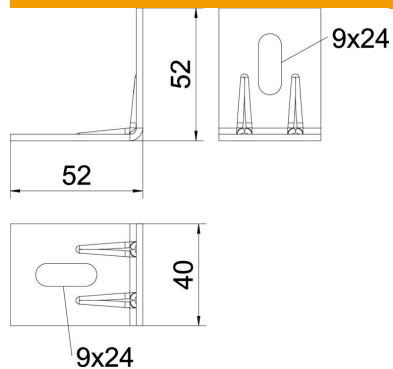
Technical data sheet

Ceiling bracket K6 FS

Item number: 6343090



Dimensions



Dimension	52x52
Length	40 mm
Width	52 mm
Width	2.05 in
Height	52 mm
Height	2.05 in