

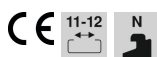
# Technical data sheet

## Clamp clip 2056 N-foot, 2-fold, metal pressure sleeve, FT

Item number: 1187003



Clamp clip with N-foot, metal pressure sleeve with rounded edges to protect the cable. For vertical and horizontal mounting of 2 single cables on a C-profile rail. For slot width 11–12 mm With 1-start screw thread on pressure sleeve, universal hexagonal screw head WAF10, with slot and cross recess. Suitable for assembly indoors and outdoors. Multiple cables should be separated by double sleeves. We recommend the use of a counter-sleeve.



**St** Steel

**FT** Hot-dip galvanised

### Master data

|                     |                    |
|---------------------|--------------------|
| Item number         | 1187003            |
| Type                | BS-N2-M-12 FT      |
| Description 1       | Clamp clip 2056    |
| Description 2       | double             |
| Manufacturer        | OBO                |
| Dimension           | 08-12mm            |
| Material            | Steel              |
| Surface             | Hot-dip galvanised |
| Surface standard    | DIN EN ISO 1461    |
| Smallest sales unit | 50                 |
| Unit of quantity    | Piece              |
| Weight              | 3.262 kg           |
| Weight unit         | kg/100 pc.         |

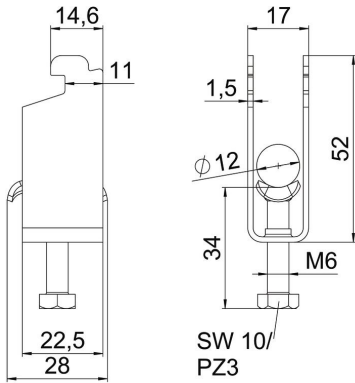
# Technical data sheet

Clamp clip 2056 N-foot, 2-fold, metal pressure sleeve, FT



Item number: 1187003

## Dimensions



|                  |         |
|------------------|---------|
| Length           | 22.5 mm |
| Width            | 17 mm   |
| Height           | 52 mm   |
| Plate thickness  | 1.5 mm  |
| Dimension A      | 22.5 mm |
| Dimension B      | 17 mm   |
| Dimension C      | 28 mm   |
| Dimension G (mm) | M6      |
| Dimension H      | 52 mm   |
| Dimension L      | 46 mm   |
| Dimension t      | 1.5 mm  |

## Technical data

|  |                |
|--|----------------|
| Number of cables/pipes                         | 2              |
| For pipe diameter, max.                        | 12 mm          |
| For pipe diameter, min.                        | 8 mm           |
| for rail with slot width (with interval), max. | 12 mm          |
| for rail with slot width (with interval), min. | 11 mm          |
| Thread   | M6             |
| Halogen-free                                   | yes            |
| Length of external dimensions                  | 28 mm          |
| Max. Tightening torque                         | 3 Nm           |
| With plastic trough                            | no             |
| With metal trough                              | yes            |
| Mounting type                                  | Profile rail   |
| Slot width                                     | 10 mm          |
| Clamping range D, max.                         | 12 mm          |
| Clamping range D, min.                         | 8 mm           |
| Surface addition                               | hot galvanised |
| Material addition                              | Steel          |
| With counter-trough                            | no             |
| Material of trough                             | Steel          |